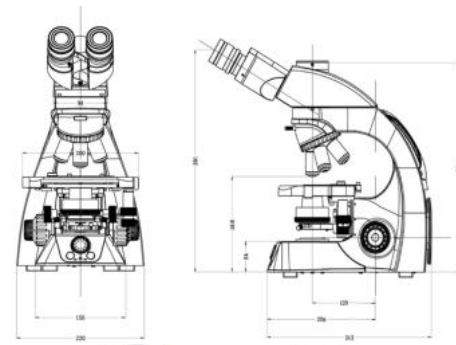


CPD.61.CX63 New Generation LAB Biological Microscope



Standard Set

P/N	Model	Specification	QTY
N002326	CX63F	CX-63 Upright Biological Main Body with Working Stage and Specimen holder	1
N001984	GST25U12-P1J	Power Supply Adapter 220V/12V/25W DC	1
N002748	U-CTR30-2	CX-63 Trinocular Viewing head, 50/50 Beam Split, IPD 46-78mm	1
N002256	WHN10X-H	Wide Fiew of View and Diopter Adjustable WF10X, FN=23mm, -8 ~+8, with Silicone Eyecup	2
N001160	U-AC2	Abbe Condenser, N.A=1.1, 4X~100X	1
N002348	PLCN4X	INFINITY PLAN4X, N.A=0.10, CG=0.17, W.D=17mm, OFN=23	1
N002349	PLCN10X	INFINITY PLAN10X, N.A=0.25, CG=0.17, W.D=10mm, OFN=23	1
N002350	PLCN20X	INFINITY PLAN20X, N.A=0.40, CG=0.17, W.D=3mm, OFN=23	Optional
N002351	PLCN40X	INFINITY PLAN40X, N.A=0.65, CG=0.17, W.D=0.6mm, OFN=23	1
N002353	PLCN100XO	INFINITY PLAN100X, N.A=1.25, CG=0.17, W.D=0.25mm, OFN=23	1
N001087	IMMOIL-8CC	Oil, 8mL, refractive index=1.518, Low viscosity (135CST)	1
N002998	MR6-T325	Installation tools 2.5#, 3#	1
N002377	U-TV0.5XC	0.5X C-mount	Optional
N003001	NB PLUS 3	30M Pixel Camera, SONY Color SCMOS, USB3.0, include software	Optional